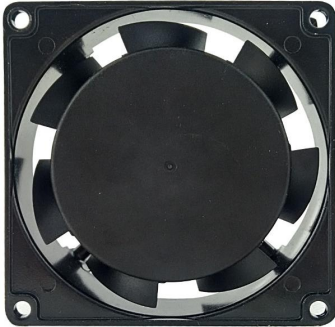


Item code: AC 8025



Size: 80*80*25mm
 Motor wires: 100% pure copper motor wires
 Bearing: Ball or Sleeve
 Weight: 230g
 Safety: Impedance Protected

Specification

Housing: Aluminum Alloy, Painted Black

Impeller: Thermoplastic PBT, UL94V-0

Lead Wire: UL 1007 AWG#24,

Termination: Lead wire, no connector

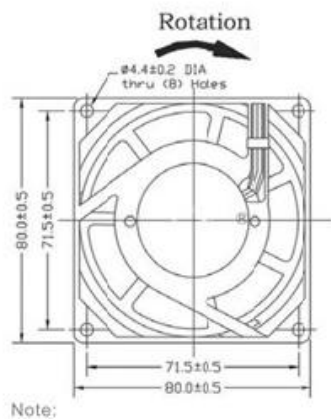
Operating Temperature:

-10°C to +70°C for Sleeve Type

-20°C to +80°C for Ball Type

Model	Bearing System		Rated Voltage V AC	Frequency Hz	Rated Current Amp	Rated Input Power Watt	Rated Speed RPM	Air Flow CFM	Air Pressure MmH ₂ O	Noise Level dBA
	Ball	Sleeve								
AM8025MS1		√	110-125	50/60	0.14/0.12	13/11	2300/2500	17/21	3.0/4.6	28/32
AM8025MB1	√		110-125	50/60	0.14/0.12	13/11	2400/2600	18/22	3.3/4.8	29/33
AM8025MS2		√	200-240	50/60	0.07/0.06	13/11	2300/2500	17/21	3.0/4.6	28/32
AM8025MB2	√		200-240	50/60	0.07/0.06	13/11	2400/2600	18/22	3.3/4.8	29/33

DIMENSIONS DRAWING



P&Q CURVE (AT RATED VOLTAGE)

